



4JH5E Series

Configuration	4-stroke, vertical, water-cooled diesel engine		
Maximum output at crankshaft	* 39.6 kW@3000 rpm	[53.8 mhp@3000 rpm]	
Displacement	2.190 L	[134 cu in]	
Bore x stroke	88 mm x 90 mm	[3.46 in x 3.54 in]	
Cylinders	In-line		
Combustion system	Direct injection		
Aspiration	Natural aspiration		
Starting system	Electric starting 12V - 1.4 kW		
Alternator	12V - 125A		
Cooling system	Fresh water cooling by centrifugal fresh water pump and rubber impeller sea water pump		
Lubrication system	Enclosed, forced lubricating system		
Direction of rotation [crankshaft]	Counterclockwise viewed from stern		
Dry weight without gear	201 kg	[443 lbs]	
Emission compliance	EU: RCD 1	BSO II	EMC
	US: EPA Tier 2		
Engine mounting	Rubber type flexible mounts		

NOTE:

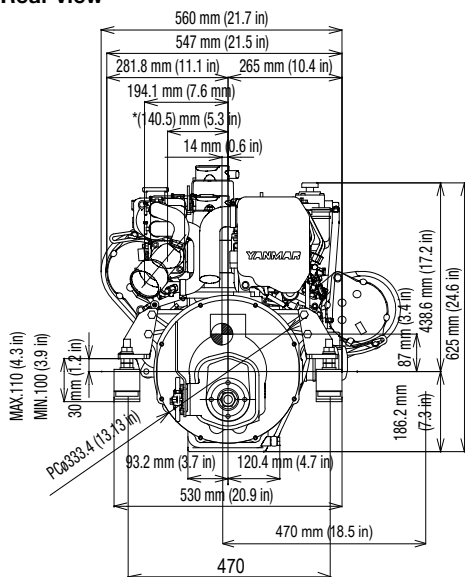
Fuel condition: Density at 15°C = 0.84 g/cm³: 1 kW = 1.3596 mhp = 1.3410 HP

* Fuel temperature 40°C at the inlet of the fuel injection pump [ISO 8665: 2006]

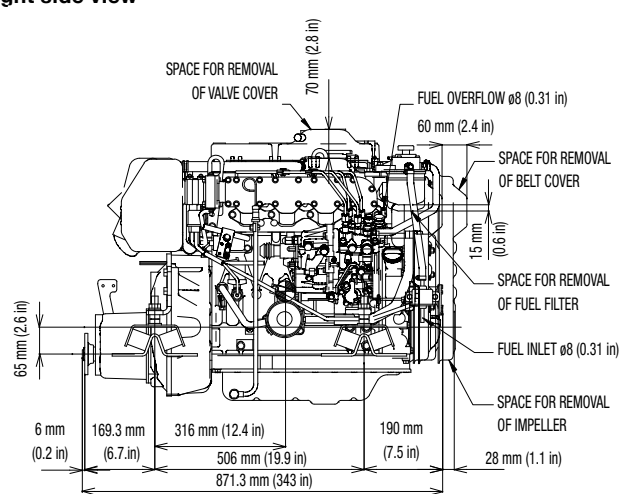
Technical data is according to ISO 8665: 2006/3046-1

DIMENSIONS

Rear view



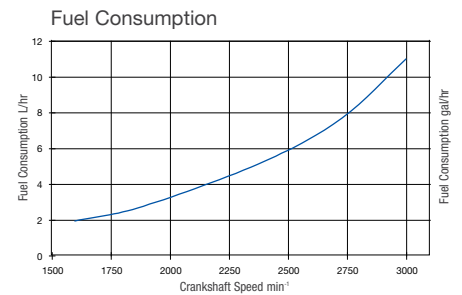
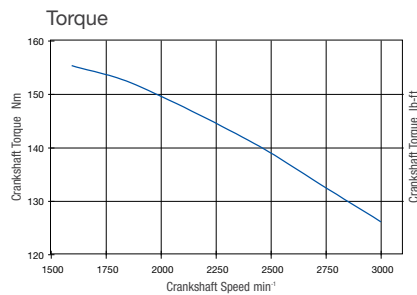
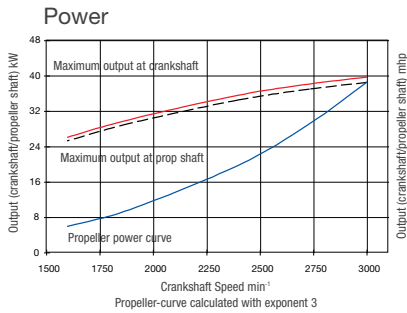
Right side view



4JH5E with KM35P marine gear



PERFORMANCE CURVES



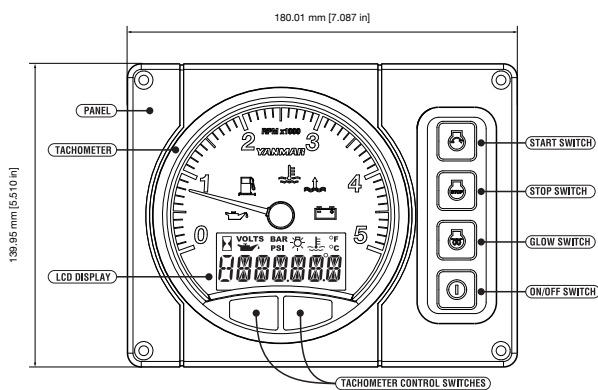
MARINE GEARS/DRIVE*

Model	KM35P		KM35A2 [down angle: 7°]		KM4A1-5 [down angle: 7°]			ZF30M		Saildrive SD60	
Type	Mechanical cone clutch		Mechanical cone clutch		Mechanical cone clutch			Mechanical multi-disc		Mechanical wet type multi-disc	
Dry weight**	12 kg [27 lbs]		13 kg [29 lbs]		30 kg [66 lbs]			28 kg [61 lbs]		43.6 kg [88 lbs]	
Reduction Ratio [fwd/rev]	2.36/3.16	2.61/3.16	2.33/3.06	2.64/3.06	1.47/1.47	2.14 / 2.14	2.63/2.63	2.15/2.64	2.70/2.64	2.23/2.23	2.49/2.49
Propeller speed [fwd/rev]	1271/949	1149/949	1288/980	1136/980	2041/2041	1402/1402	1141/1141	1395/1136	1111/1136	1345/1345	1205/1205
Direction of rotation (viewed from stern)	Clockwise		Clockwise		Clockwise & counterclockwise			Clockwise		Clockwise & counterclockwise	
Dry weight - engine & gear**	213 kg [469.5 lbs]		214 kg [471.7 lbs]		230 kg [443 lbs]			229 kg [505 lbs]		241 kg [531 lbs]	
Length engine and gear/drive	871 mm [34 in]		864 mm [34 in]		922 mm [36 in]			950 mm [37 in]		1113 mm [44 in]	

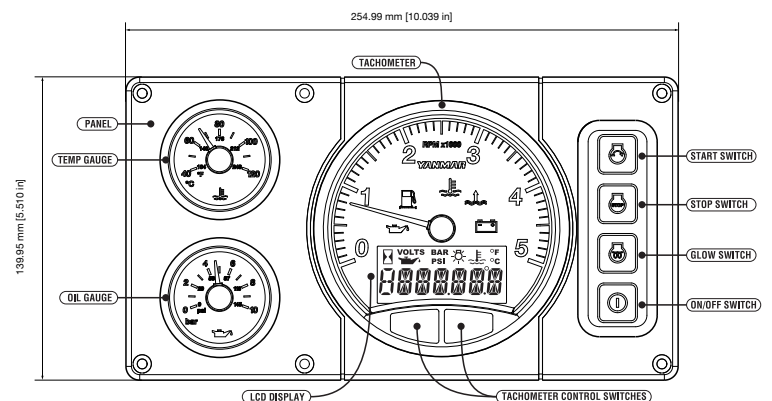
* Other marine gearboxes and configurations available upon request. Contact your local supplier for more information.

** Dry weight includes cooler, brackets and damper disk.

INSTRUMENT PANELS



B20-panel



C30-panel

ACCESSORIES

Standard engine package

- Set of flexible engine mounts
- Exhaust mixing elbow [L-type]
- Belt safety cover
- Fresh water expansion tank
- Alternator 12V - 125A
- Electric stop solenoid
- Operation manual
- Sensor for instrument panel
- B20-panel

Optional accessories

- Second alternator 12V - 130A or 24V - 75A, including smart regulator
- High-riser mixing elbow [instead of L-elbow]
- Extension wire harness [4m, 6m, 10m]
- Hot water kit with cocks
- Dual Harness (For 2nd Station)
- C30-panel
- Sensor for C30-panel
- Extension saildrive leg [75 mm]
- Propeller cone nut kit SD60

NOTE: All data subject to change without notice. Text and illustrations are not binding.