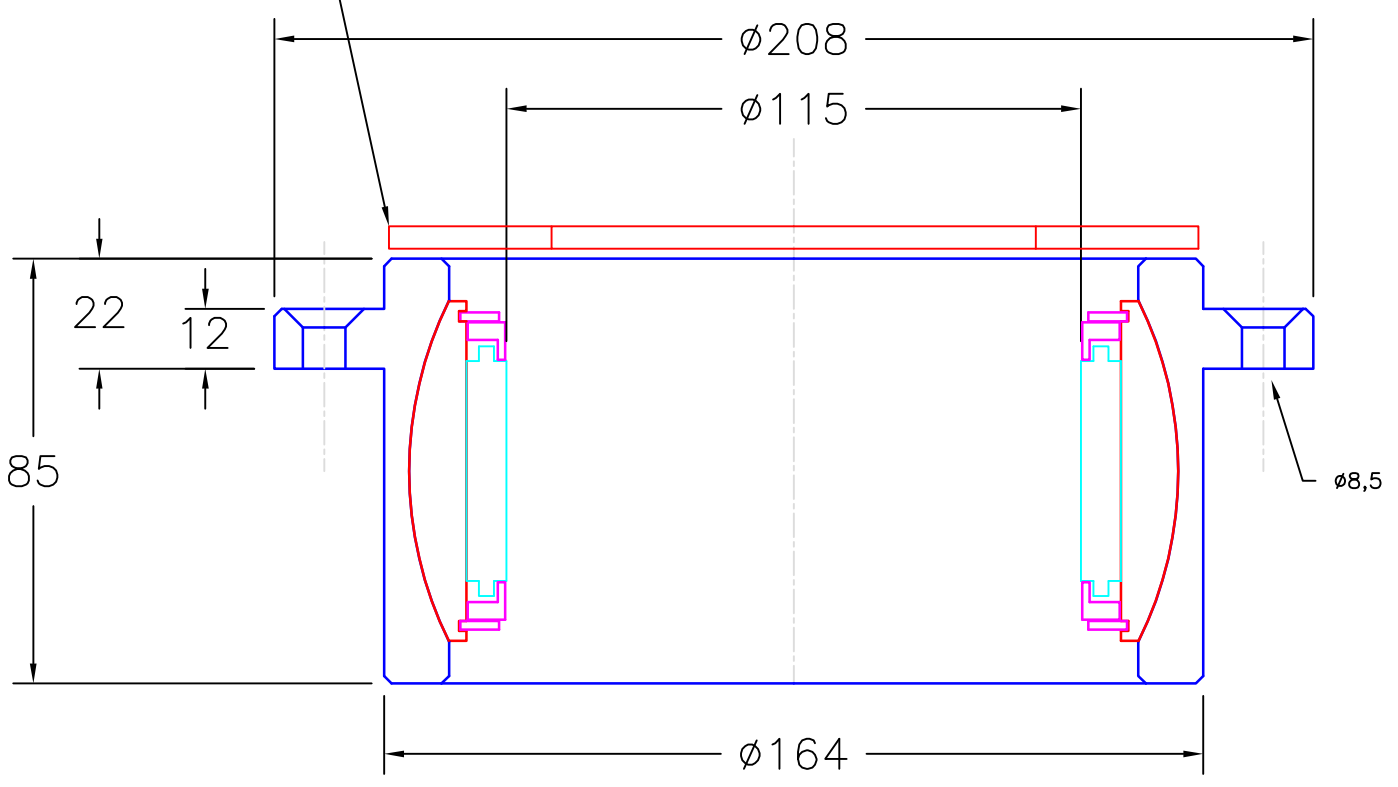

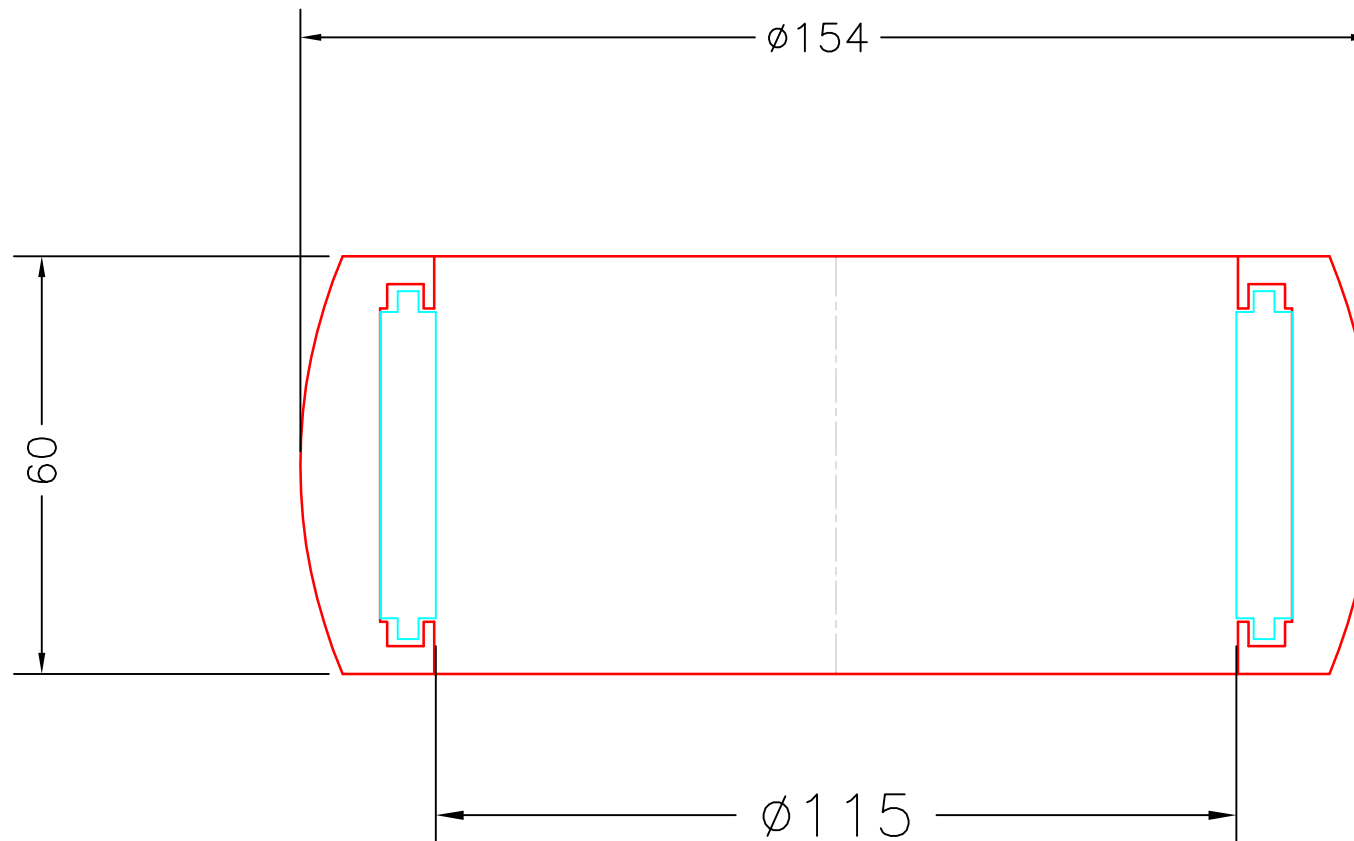


Washer  
 $\phi 162 \times \phi 97 \times 4,5$




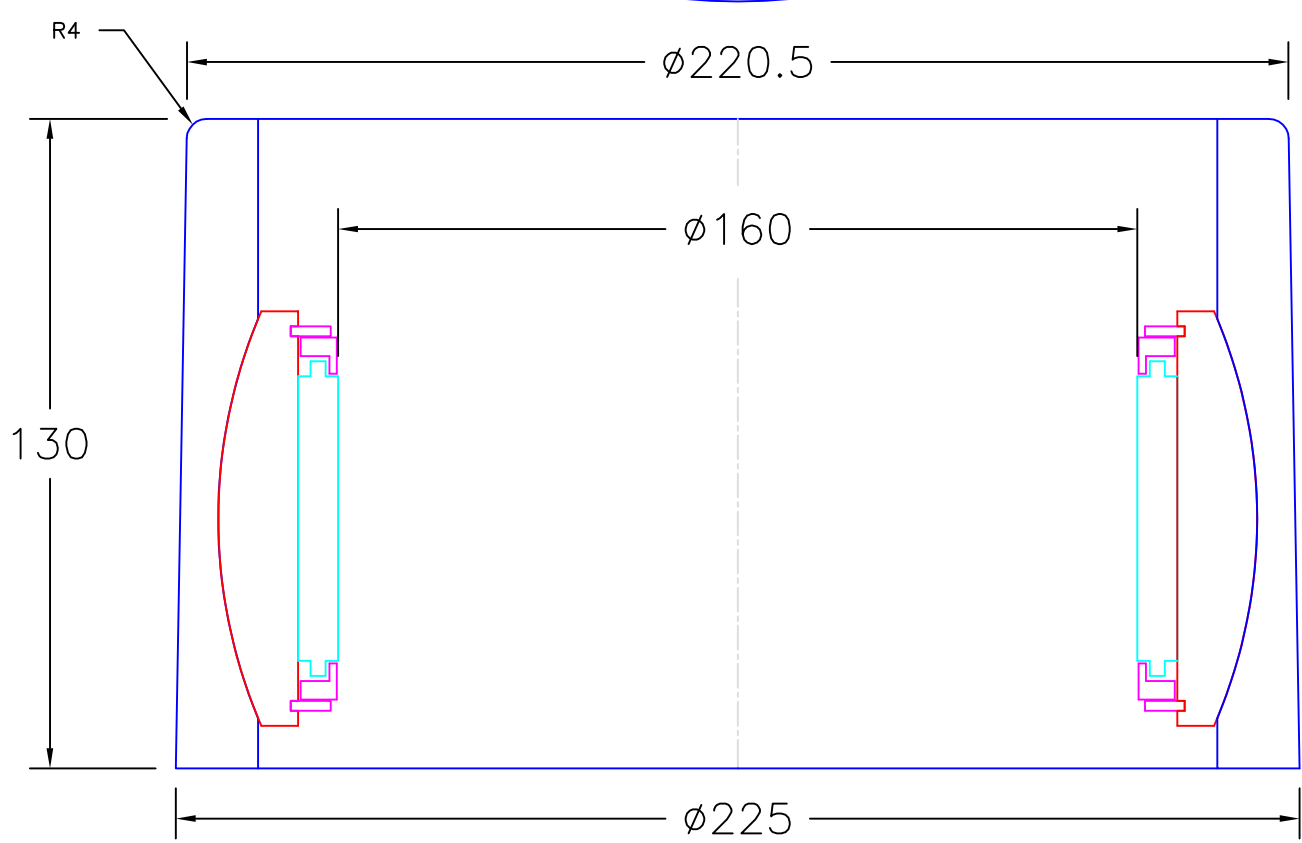
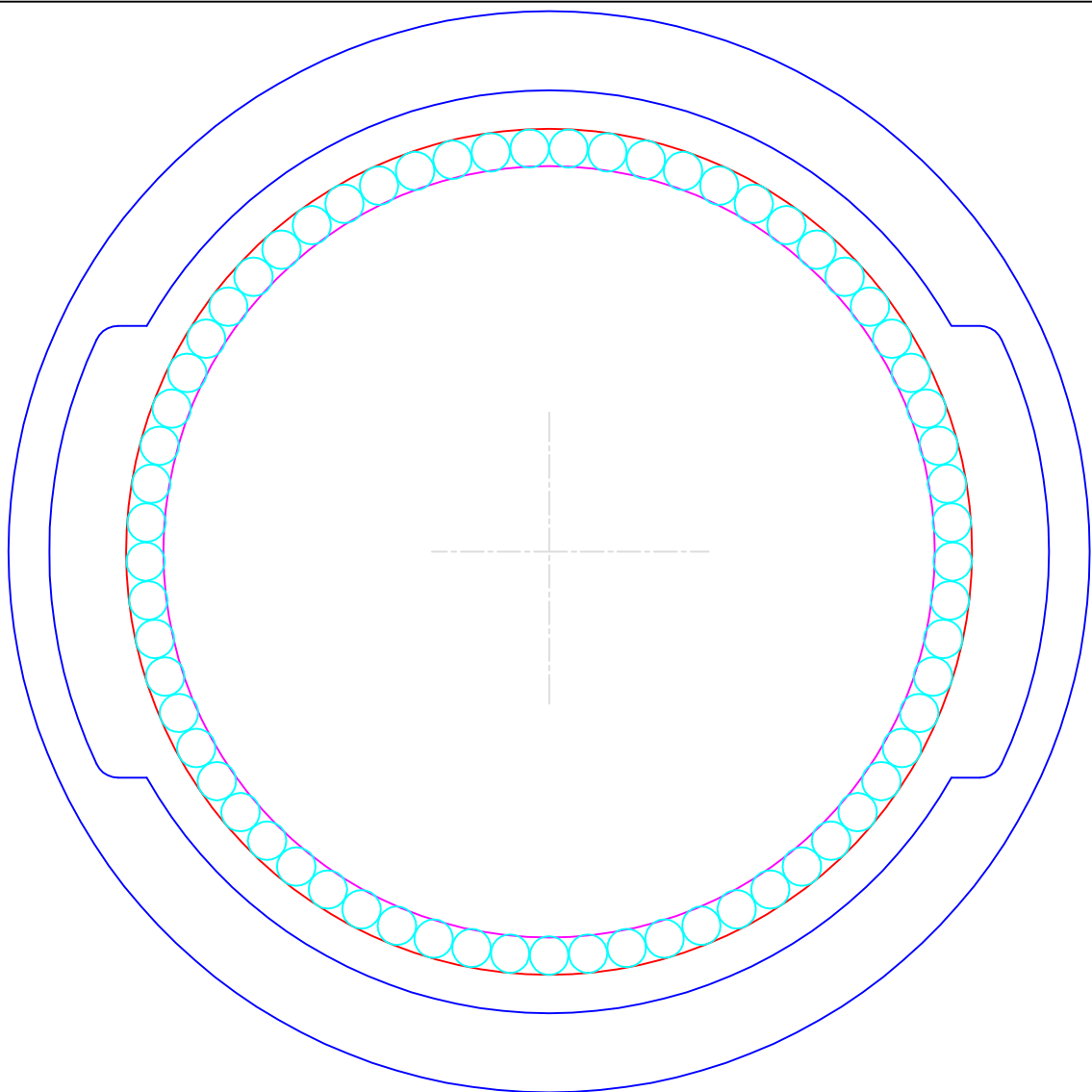
Max working load 5630kg

Modify date	Project: Self-aligning rudder bearing		 JEFA MARINE A/S NIMBUSVEJ 2 2670 GREVE, DENMARK Tel: +45-4615 5210 & Fax: +45-4615 5208 E-mail: jefa@jefa.com & WWW.jefa.com
Modify date	First 44,7		
Modify date	Scale 1:1	Date 20020113	
Modify date	Material Alu.6082	Drawing no. -	
Modify date	Filename (dwg) LS2201643 bearing $\phi 115$		
Modify date	Drawn by J.F.		




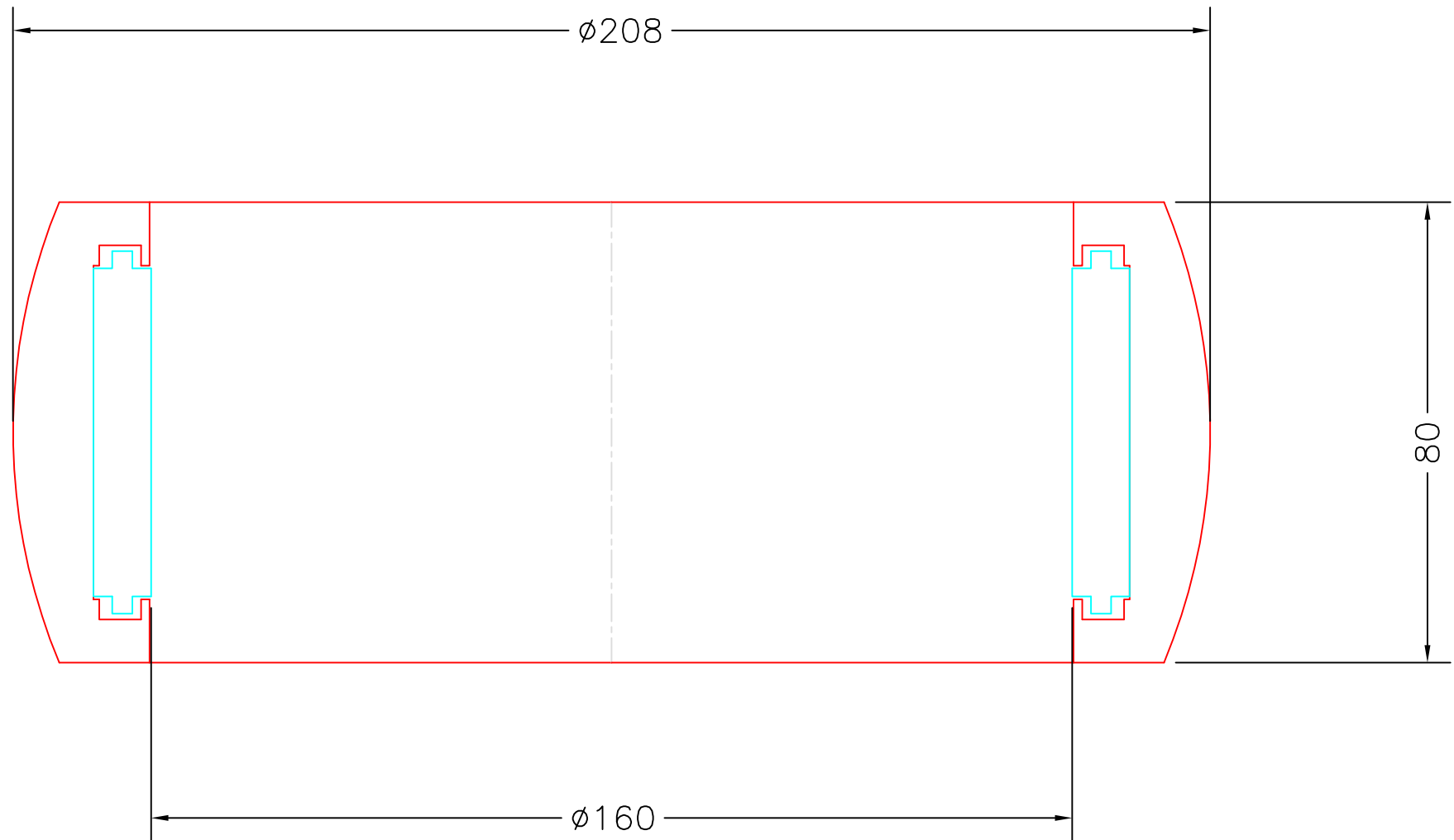
For LS2201643 bearing

Modify date	Project: Self-aligning rudder bearing		 JEFA MARINE A/S NIMBUSVEJ 2 2670 GREVE, DENMARK Tlf. +45-4615 5210 & Fax +45-4615 5208 E-mail info@jefa.com & WWW.jefa.com
Modify date	First 44,7                      Ø153mm		
Modify date	Scale    1:1	Date       20011213	
Modify date	Material    PETP	Drawing no. LS2201643B	
Modify date	Filename    First 44,7 bottom bearing Ø153mm (dwg)		
Modify date	Drawn by    J.F.		



Max working load 9450kg

Modify date	Project: Self-aligning rudder bearing		
Modify date	First 44,7      Ø160mm		
Modify date	Scale: 1:1	Date: 20011213	JEFA MARINE A/S NIMBUSVEJ 2 4470 GREVE, DENMARK Tel: +45-4615 5210 & Fax +45-4615 5208 E-mail: info@jefa.com & WWW.jefa.com
Modify date	Material: Alu.6082	Drawing no. LS2201644	
Modify date	Filename (dwg): First 44,7 bottom bearing Ø160		
Modify date	Drawn by: J.F.		



For LS2201644 bearing

Modify date	Project: Self-aligning rudder bearing		<i>Jefa Rudder</i> S Y S T E M S
Modify date	First 44,7 $\phi 160$ mm		
Modify date	Scale 1:1	Date 20011213	JEFA MARINE A/S NIMBUSVEJ 2 2670 GREVE, DENMARK Tlf. +45-4615 5210 & Fax +45-4615 5208 E-mail info@jefa.com & WWW.jefa.com
Modify date	Material PETP	Drawing no. LS2201644B	
Modify date	Filename First 44,7 bottom bearing $\phi 160$ mm (dwg)		
Modify date	Drawn by J.F.		