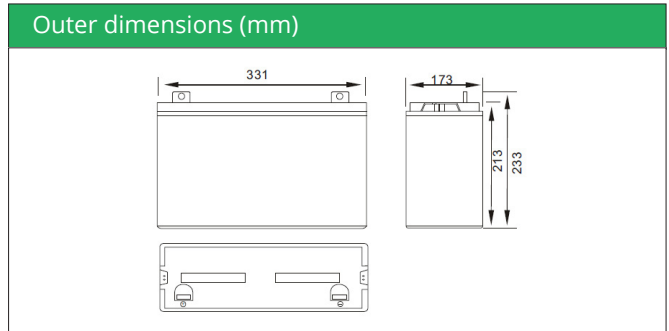




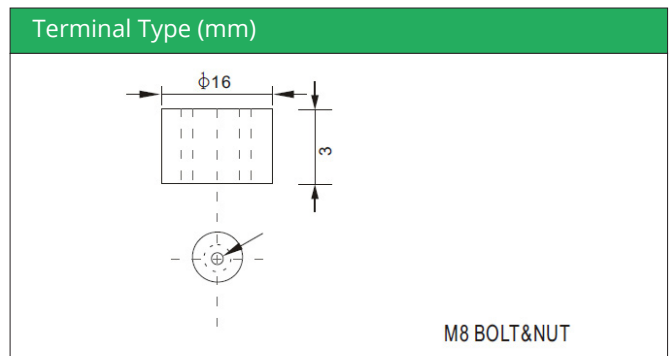
MXG12-135 (12V135Ah)

Gel Deep Cycle Battery



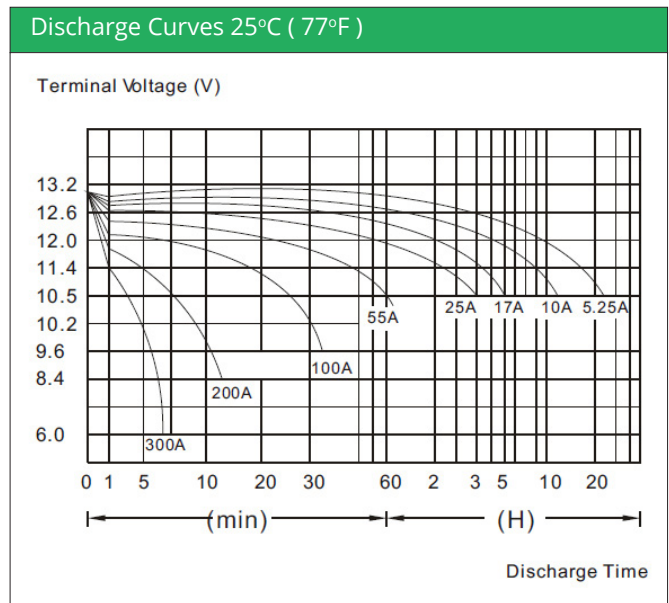
Specifications

Nominal Voltage		12V
Rated capacity (20 hour rate)		135Ah
Dimensions	Total Height	214mm (8.42 inches)
	Height	213mm (8.39 inches)
	Length	331mm (13.03 inches)
	Width	174mm (6.85 inches)
Weight Approx		32.5Kg (71.5lbs)



Characteristics

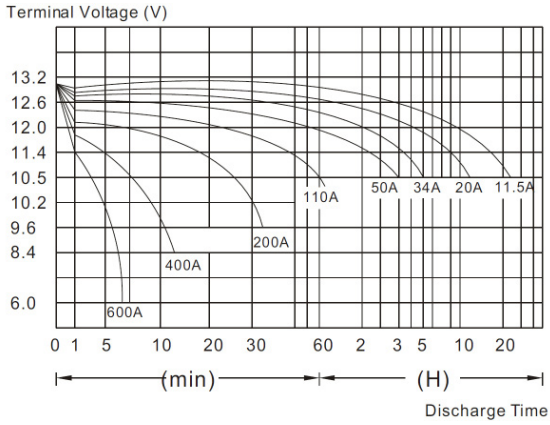
Capacity 25°C (77°F)	20 hour rate (5.25A)	135.0 AH
	10 hour rate (10.0A)	120.0 AH
	5 hour rate (17.0A)	95.0 AH
	3 hour rate (25.0A)	85.0 AH
	1 hour rate (55.0A)	65.0 AH
Internal Resistance	Full charged Battery at 25°C (77°F)	3 mΩ
Capacity affected by Temperature (10hour rate)	40°C (104°F)	102%
	25°C (77°F)	100%
	0°C (32°F)	85%
	-15°C (5°F)	65%
Self-Discharge at 25°C (77°F)	Capacity after 3 month storage	91%
	Capacity after 6 month storage	82%
	Capacity after 12 month storage	64%
Terminal		T10, T16
Charge (constant Voltage)	Cycle	Initial Charging Current less than 30A Voltage 14.5-14.9V
	Float	Voltage 13.6-13.8V



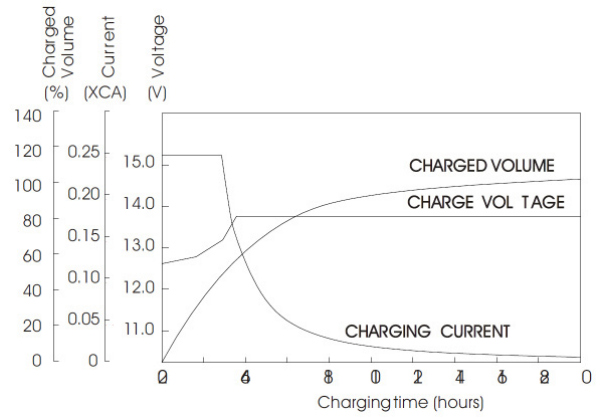
Constant Current (Amp) and Constant Power (Watt) Discharge Table at 25°C (77°F)

Time		5min	10min	15min	30min	1h	2h	3h	4h	5h	8h	10h	20h
9.6V	A	370	270	190	115	60	35	25.7	20.0	16.5	11.6	10.5	5.67
	W	3929	2867	2018	1221	695	405	298	232	191	135	122	65.7
10.2V	A	326	246	170	109.0	56.4	33.4	25.0	19.5	16.2	11.4	10.2	5.53
	W	3619	2731	1887	1210	653	387	290	226	150.1	132	119	64.0
10.5V	A	314	234	160	106	55	32.6	24.4	19.2	16.0	11.3	10.0	5.46
	W	3561	2654	1814	1202	632	378	283	222	185	131	117	63.2
10.8V	A	302	222	150	103	53	31.8	23.8	18.9	15.6	11.0	10.0	5.40
	W	3515	2584	1746	1199	615	370	277	218	182	128	116	62.9
11.1V	A	290	210	140	100	51	31.0	18.4	18.3	15.2	10.7	9.50	5.13
	W	3451	2499	1666	1190	607	369	274	217	181	127	113	61.0

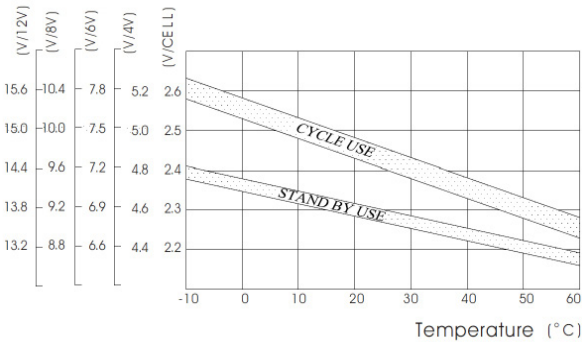
Discharge Characteristics



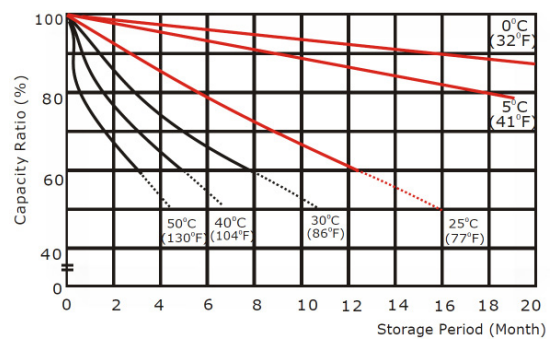
Constant Voltage Charging Characteristics (0.25CA 25 °C)



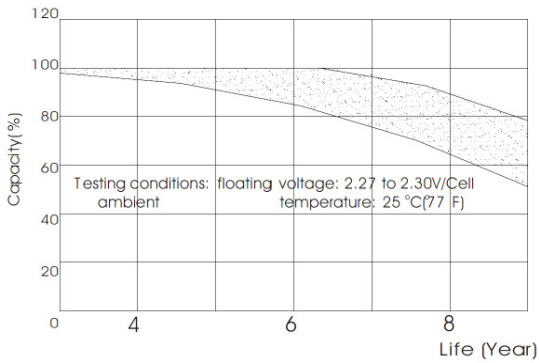
Relationship between Charging voltage and Temperature



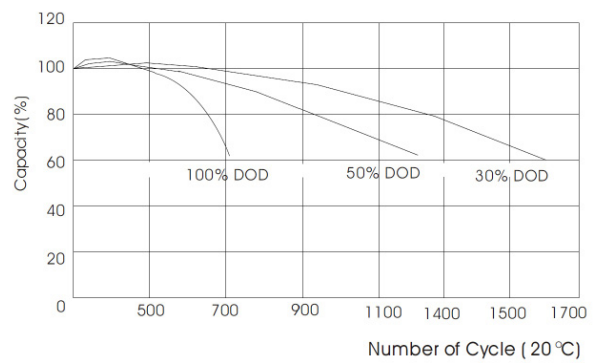
Self-discharge Characteristics



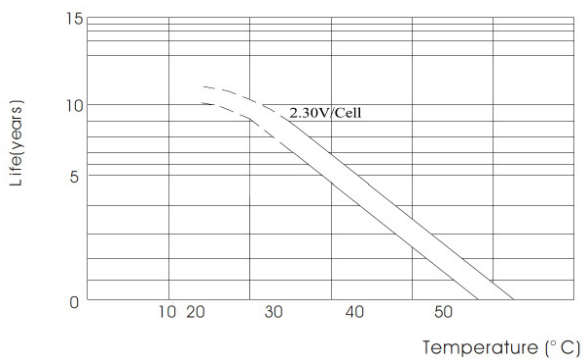
Float service life



Cycle service life @ different DOD



Temperature Effects on Float Life



Temperature Effects on Capacity

