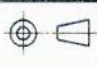


COPYRIGHT DRAWING: The information contained herein is the property of STAINLESS TANKS & PRESSURE VESSELS PTY. LTD. & shall not be copied, reproduced, used for manufacture or for any other purpose without the prior written permission of STAINLESS TANKS & PRESSURE VESSELS PTY. LTD.

TOTAL MASS(kg) kgs.	TOLERANCES: - UNLESS NOTED OTHERWISE LINEAR +/- 0.5 DIAMETER +/- 0.25 ANGULAR +/- 0.5°	ISS	ECN No.	DESCRIPTION OF CHANGE	DATE	BY	APPD
 3rd ANGLE PROJECTION		B	5773	TARE WEIGHTS ADDED	5.03.12	B.Gib	-
ALL DIMENSIONS ARE IN mm UNLESS OTHERWISE SPECIFIED							

DO NOT SCALE FROM DRAWING, WHEN IN DOUBT ASK!

REMOVE ALL BURRS & SHARP EDGES.

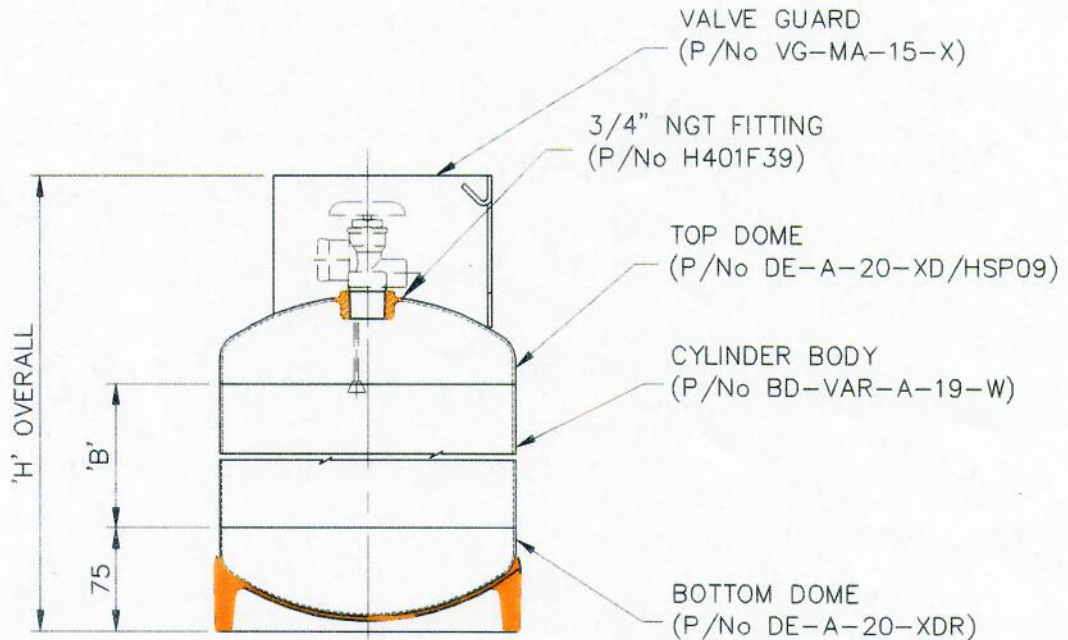
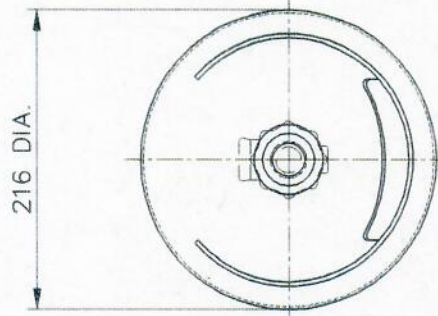
MARINER/CAPACITY REGISTER No M
MADE BY STAINLESS TANKS & PRESSURE VESSELS PTY LTD
DESIGN PRESSURE 2.55 MPa @ 65°C
TEST PRESSURE 3.83 MPa
DESIGN CODE AS 2971-2
DESIGN APPROVAL No V897-91
DATE TESTED MM/YY



102

W.C. L
TARE KG

VALVE GUARD STAMPING



HSP0923	9.0 KG	23.0 litres	8.7 KG	790	567	V894-91
HSP0914	5.8 KG	14.5 litres	6.0 KG	540	316	V894-91
HSP0911	4.5 KG	11.3 litres	5.2 KG	450	227	V894-91
HSP0908	3.4 KG	8.5 litres	4.4 KG	370	148	V894-91
HSP0906	2.5 KG	6.0 litres	3.8 KG	310	89	V894-91
HSP0903	1.3 KG	3.0 litres	2.8 KG	225	N/A	V893-91
Part No	LPG Cap.	Water Cap	Tare Wt	Dim. "H"	Dim. "B"	Design App.

UNCONTROLLED DOCUMENT (EXTERNAL TO STPV) UNLESS STATED OTHERWISE

DRAWN P.LUTZ	DATE 29/6/05	APP'D.	DATE	Stainless Tanks & Pressure Vessels Pty Ltd A.C.N. 053 826 485 130-140 MERRINDALE DRIVE TEL: (03) 9751 7744 CRÖYDON SOUTH, VICTORIA FAX: (03) 9751 7755 AUSTRALIA 3136 EMAIL: info@stainlesstanks.com.au	CAD FILE No. G:\Drawings\216 dia cylinders
MATERIAL 1.9mm AS1444 GR.316L TR STAINLESS STEEL					TANK VOLUME SEE DRAWING
SURFACE TREATMENT ELECTRO-POLISH EXTERNALLY				TITLE L.P. GAS CYLINDER "MARINER"	PART No. Sheet 1 of 2 HSP0900
					ISSUE B